



AQMOS R2D2-48



Control valve
BNT 1650

Data Sheet R2D2-48 Water Softener

Water softening systems in cabinet

AQMOS R2D2-48 (Articlenumber 1111.0002)

Single softener in cabinet design for softening drinking and service water up to a maximum of 30 °C.

The AQMOS R2D2-48 consists of:

GFK pressure tank, filled with high-quality ion exchange resin, modern design, cabinet housing with a maximum salt storage capacity of 40 kg, sliding lid, volume-controlled central control valve, type BNT 1650, integrated fine blending valve, suction device and connecting line to the central control valve, wastewater hose, 12 mm Ø, 2,000 mm long.

Technical Data

R2D2-48

Performance Data

For households up to	2-5 persons
Capacity at 10°dH	4.800 l
Capacity at 15°dH	3.200 l
Capacity at 20°dH	2.400 l
Nominal flow rate*	1,70 m ³ /h
Nominal flow rate**	0,5 m ³ /h
Maximum raw water pressure	6,0 bar
Minimum raw water pressure	2,0 bar
Pressure loss at maximum flow	0,6 bar
Salt consumption per regeneration	1,92 kg
Regeneration time	40 minutes

Physical Data Cabinet Housing

Height Cabinet Housing	825 mm
Width Cabinet Housing	220 mm
Depth Cabinet Housing	460 mm
Maximaler Salzvorrat	40 kg

Physical Data GFK Pressure Tank

GFK pressure tank type	8" x 24"
Resin content	12 l

Control Valve

Control valve	BNT 1650
Water connections	1" AG
Wastewater connection	12 mm

Electrical Characteristics and Conditions

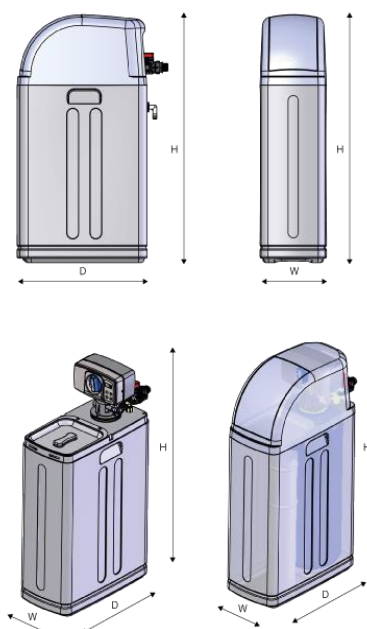
Power consumption	3 Watt
Electrical connection	230 / 50 / 24 V
Maximum water temperature	30 °C
Total system weight	27 kg

Articlenumber 1111.0002

* According to DIN 19636 (20 °dH to 8 °dH)

** from 20°dH to 0,5 °dH (40 BV / h)

Dimensional drawing for the technical data



Installation Conditions

- Drinking or raw water connection
- Socket 230 V / 50 Hz
- Waste water connection
- Pressure reducer at > 6 bar
- House water filter at the inlet